



# PGG6-225 6V 225AH

PGG6 series battery uses latest AGM technology with longer cycle life. It is suitable for large current and deep cyclic applications. It can be used in e-vehicles, sightseeing, golf and logistics cars.



## Benefits

- Up to 700 cycles 80% DOD
- Good large current discharge performance
- High gas recombination efficiency
- Maximum charge efficiency
- Low self-discharge rate
- Easy installation and handling

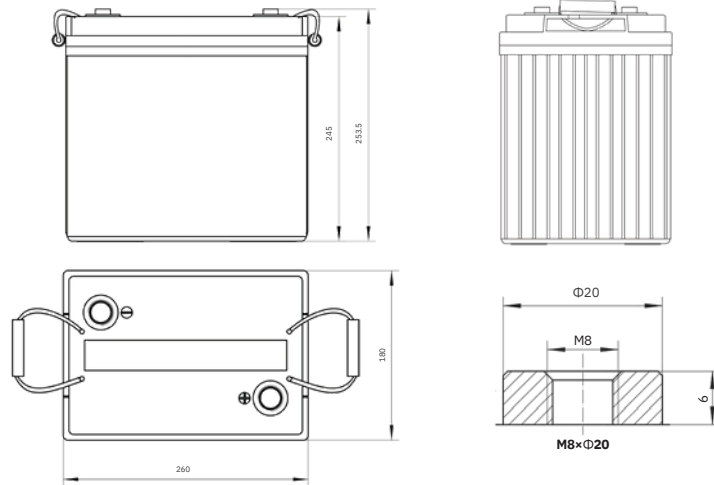
## Applications

Electrical Vehicle  
Mixture Electrical vehicle

## Standards

GB/T 18332.1  
QC/T 742  
IEC61982-3  
GB/T 7403.1  
GB/T 23636

## Drawing



## Specifications

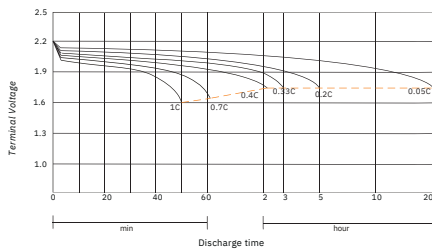
Battery Model	PGG6-225			
Design Life (80% DOD)	700 Cycles			
Capacity (Ah, 25°C)	20HR (10.0A, 1.75V)	5HR (37.0A, 1.75V)	3HR (56.67A, 1.75V)	2HR(77.5A, 1.75V)
	225	185	170	155
Dimensions (mm)	Length	Width	Height	Total Height
	260	180	245	253.5
Approx. Weight (kg)	30.0			
Reference Internal Resistance (mΩ)	2.5 ( full charged @ 25°C)			
Maximum Discharge Current (A/10 Sec.)	1530			
Self-Discharge (25°C)	≤3% per month			
Charge Voltage (V/cell, 25°C)	Cycle use		Float use	
	2.45 (-3mV/°C/cell), max charge current: 25A		2.35 (-3mV/°C/cell)	

## Discharge Data

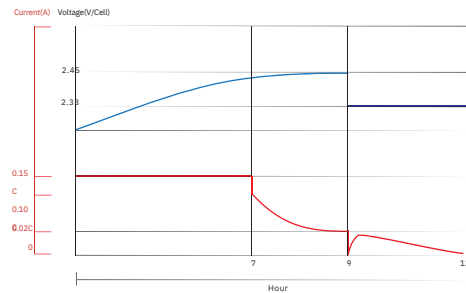
Constant Current Discharge Data (25°C , A)											
End Voltage (V/cell)	min					h					
	10	20	30	45	60	1.5	2	3	5	10	20
1.60	449.1	293.7	214.0	157.2	124.9	93.67	78.85	57.47	37.44	19.70	10.09
1.65	441.4	289.8	212.1	156.1	124.1	93.11	78.43	57.24	37.28	19.63	10.06
1.70	433.8	285.9	210.0	155.0	123.2	92.59	78.03	56.96	37.13	19.55	10.02
1.75	425.0	281.0	207.0	153.0	122.0	91.81	77.50	56.67	37.00	19.50	10.00
1.80	403.6	268.4	198.8	147.5	118.1	89.29	75.67	55.54	36.47	19.29	9.936

Constant Power Discharge Data (25°C , W/cell)											
End Voltage (V/cell)	min					h					
	10	20	30	45	60	1.5	2	3	5	10	20
1.60	779.4	531.1	395.3	294.7	237.3	180.5	153.3	112.6	73.87	38.97	20.00
1.65	775.0	530.6	394.2	294.0	236.3	179.8	152.8	112.4	73.73	38.92	19.97
1.70	770.4	528.9	392.8	293.4	235.9	179.3	152.6	112.3	73.57	38.87	19.95
1.75	765.0	525.3	390.7	292.0	234.8	178.5	152.3	112.1	73.49	38.83	19.94
1.80	749.0	507.8	380.5	285.2	230.5	175.6	150.0	110.7	73.02	38.75	19.97

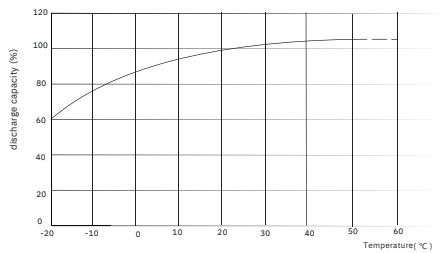
## Performance Curve



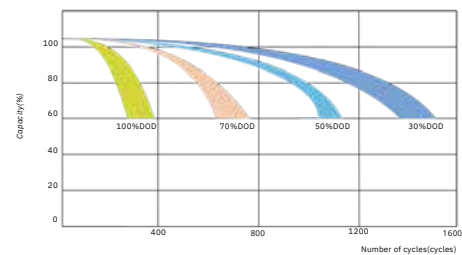
Discharging performance



Charge performance



Discharge capacity vs. temperature



Cycles vs. discharge depth